

MINI-Z RACER MR-02 Setting Data Sheet

REVISION 0.1 JC

NAME	TRACK	RACE	DATE



1 REAR SUSPENSION

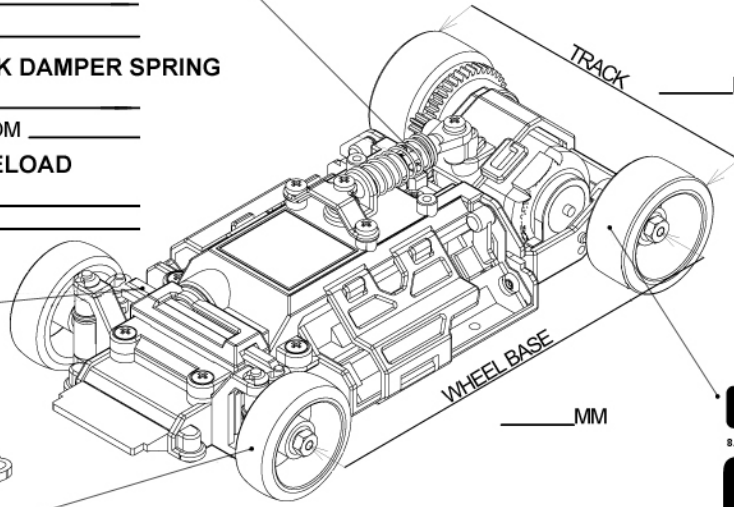
- REAR SHOCK
 - STD
 - OIL # _____
- SHOCK SPRING
 - TYPE _____
 - SOFT
 - NORMAL
 - HARD
- SPACER _____MM
- DISK DAMPER
 - TYPE _____
 - OIL # _____
- DISK DAMPER SPRING
 - TOP _____
 - BOTTOM _____
- PRELOAD _____



- ## 2 BODY / CHASSIS
- VERSION
 MM
 RM
- CHASSIS
 STD
 SKELETON
 GOLD TERMINAL
- BALL BEARING
 YES
 NO
- MOTOR MOUNT
 STD
 ALUMINUM
- TYPE _____

3 TIE ROD

- STD - 0°
- No 2 - 1°
- No 4 - 1.5°
- No 6 - 2°
- ALUMINUM



4 FRONT WHEELS

- 8.5mm 9.5mm FLAT ROUND DEGREE
- Soft 10° 20° 30° 40° 60° 80° Hard
- N SW F R
- SHORE

- TIRE TREAD
 - SLICK
 - RADIAL _____
- TIRE COMPOUND
 - RUBBER
 - FOAM
- TIRE DIAMETER _____MM
- WHEELS
 - STD
 - ALUMINUM
- TYPE/OFFSET _____

5 FRONT SUSPENSION

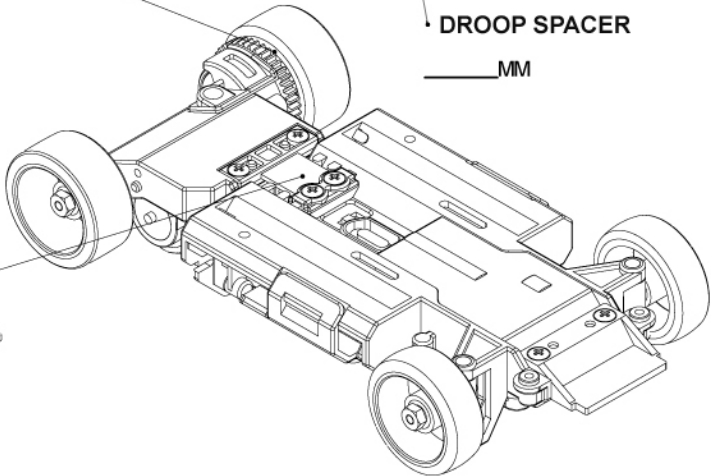
- FRONT SPRING
 - TYPE _____
 - SOFT
 - NORMAL
 - HARD
- PRELOAD SPACER _____MM
- SUSPENSION LIMITER
 - No 4 - 2.0mm
 - No 4.5 - 1.5mm
 - No 5 - 1.0mm
- KNUCKLE ARM
 - STD - 0°
 - 0.5°
 - 1°
 - 1.5°
 - 2°
 - ALUMINUM
- DROOP SPACER _____MM
- KING PING
 - STD
 - STAINLESS
- UPPER BAR
 - STD
 - ALUMINUM
- TYPE _____

7 DIFFERENTIAL

- GEAR DIFFERENTIAL
- BALL DIFFERENTIAL
- TYPE _____
- DIFFERENTIAL BALL
 - STD
 - CERAMIC _____
- DIFFERENTIAL SHAFT
 - STD
 - TITANIUM

8 SUSPENSION PLATE

- TYPE
 - SOFT
 - NORMAL
 - HARD
- SPACER _____MM



6 REAR WHEELS

- 8.5mm 9.5mm 11mm FLAT ROUND DEGREE
- Soft 10° 20° 30° 40° 60° 80° Hard
- N SW W F R
- SHORE

- TIRE TREAD
 - SLICK
 - RADIAL _____
- TIRE COMPOUND
 - RUBBER
 - FOAM
- TIRE DIAMETER _____MM
- WHEELS
 - STD
 - ALUMINUM
- TYPE/OFFSET _____

9 MOTOR

- STD
- OPTION _____
- MOTOR GEAR
 - 9T
 - 8T
 - 7T
 - 6T
- FET TYPE
 - STD
 - OPTION _____
- BATTERY TYPE _____

10 RADIO

11 OTHER
